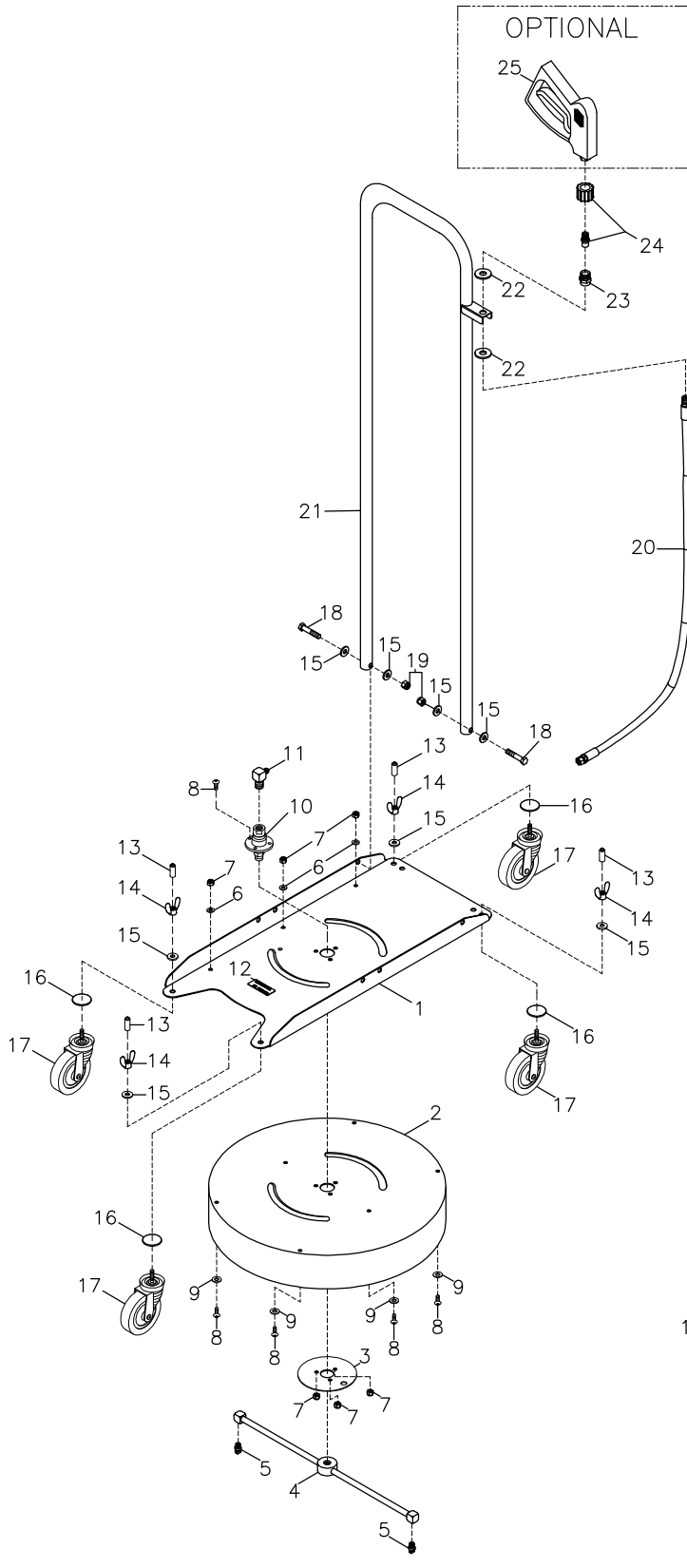


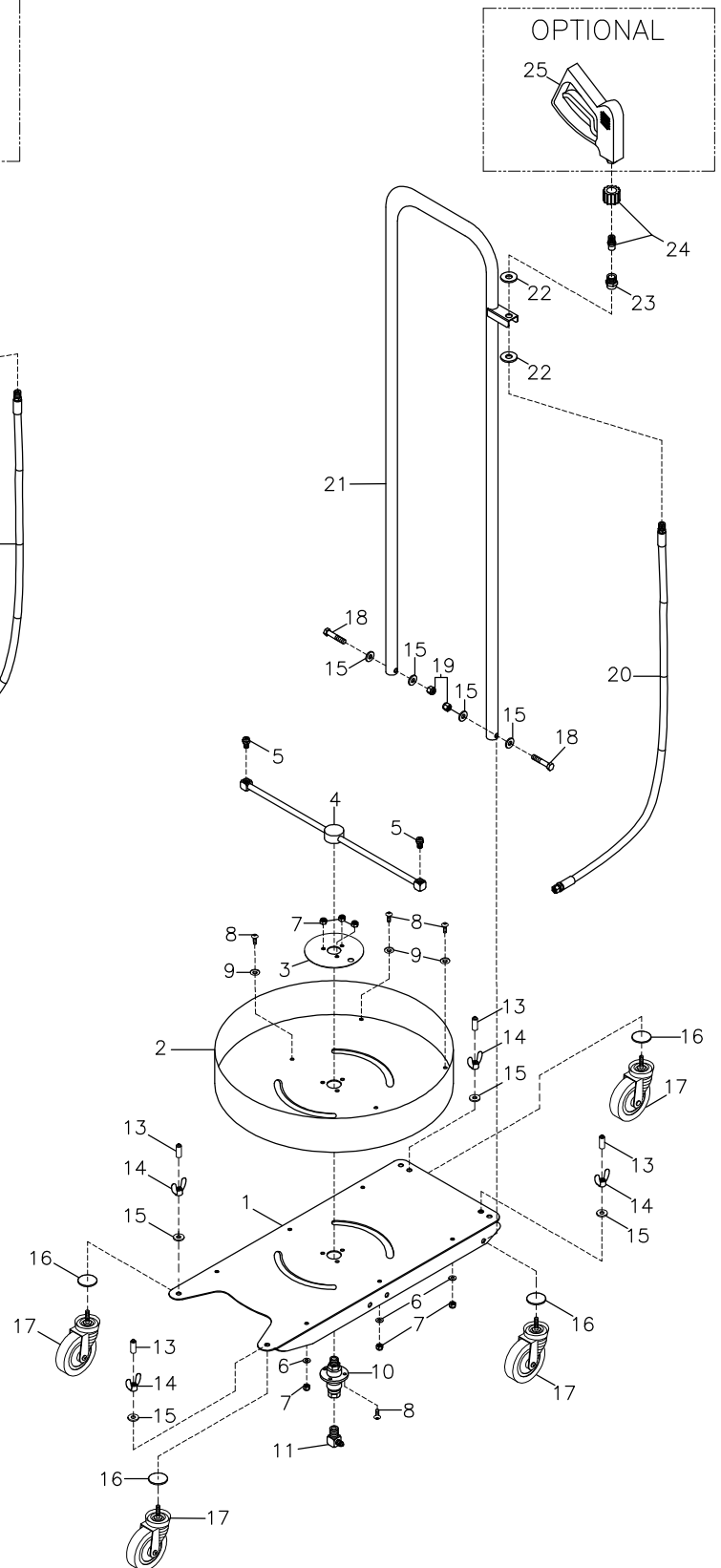
**ANT1N PARTS LIST S/N 201000772 09-28-10**

1	HLS1N	HANDLE-CASTER FRAME 2008
2	HLC20	DECK-19 7/8" DIA. PLASTIC-WHITE
3	HLC01	BACK UP PLATE-TWISTER DECK
4	VAM18	TWISTER ROTAR ARM 18"
5	NM270	NOZZLE 027 x 15 x 1/8 MEG
6	FWS04	WASER SAE 1/4" SS 9/32" x 5/8"
7	FNLS4	NUT LOCK; 1/4-20 316 STAINLESS
8	FB410	BOLT 1/4" x 3/4" PHIL HD SS
9	FWS06	WASHER 1/4" 7/8"OD STNLS
10	VAM04	TWISTER SWIVEL CARBIDE 4000
11	D5546	STREET ELL 3/8MPT x 1/4JIC
12	GLL05	LABEL SREIAL NUMBER
13	HLC16	CASTER CAP; TWISTER 1 .343 BL
14	FNW06	WING NUT 3/8-16 316 STAINLESS
15	FWC05	WASHER CUT 5/16" PLD*
16	DQ605	O-RING 3/32" x 1 5/8" x 13/16"
17	HT300	CASTER 3 DIA. X 15/16" TREAD WIDTH
18	FB624	BOLT 3/8 x 1 1/2 PLD
19	FNJ06	NUT LOCK JAM 3/8 - 16 PLTD
20	DTW04	HOSE 1/4" x 63" 5000PSI
21	HNH04	HANDLE FOR 20" UNDERCARRIAGE
22	FWC08	WASHER SAE 1/2" PLD
23	DQ74F	TWIST COUPLER 1/4" PLUG FEM-SUT
24	DQ74T	M22 TWIST COUPLER 1/4" MALE
	GLL66	LABEL HYDRO TWISTER 10 x 10.75 (Not Shown)
	GLL26	LABEL CAUTION KEEP HANDS OUT (Not Shown)
<b>OPTIONAL</b>		
25	VG200	TRIGGER GUN, INSULATED 4000PSI

# HYDRO TWISTER ANT1N EFFECTIVE 09-28-10 SN 201000772



FLAT SURFACE CONFIGURATION



UNDERCARRIAGE CONFIGURATION