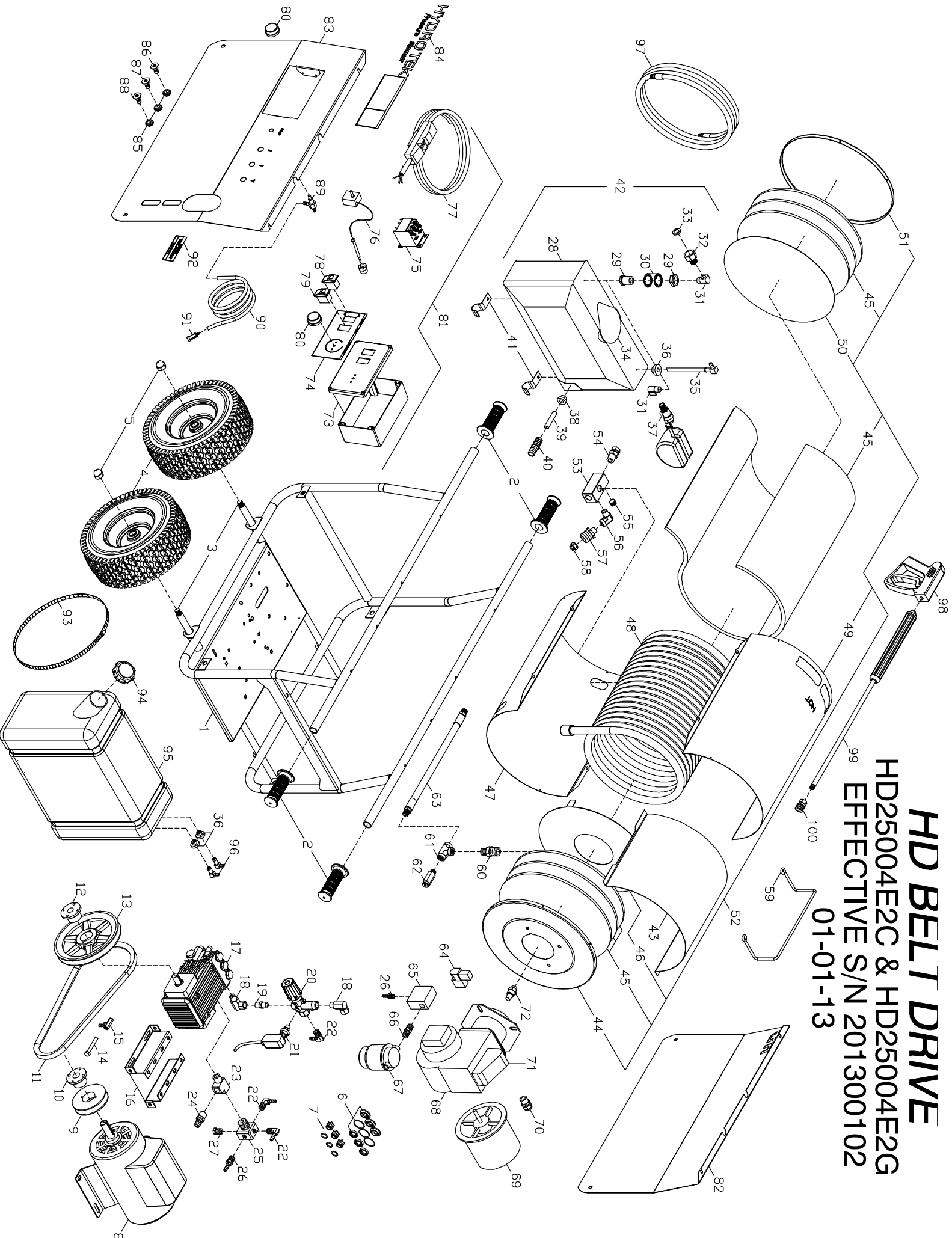


HD BELT DRIVE

HD25004E2C & HD25004E2G
EFFECTIVE S/N 201300102

01-01-13



HD25004E2C & HD25004E2G (BELT DRIVE) PARTS LIST

S/N201300102

1-Jan-13

1	HHD00	HD FRAME STAINLESS	30	FW701	WASHER FLOAT TANK 1.75 OD 14 GA	65	BPA10	FUEL PUMP MOD A2V-7116
2	HL010	HAND GRIP 1in MX				66	D2044	NIPPLE 1/4 BRASS
3	SR625	ROD, THREADED 5/8 ZINCE PLATED	31	D5566	STREET ELL 3/8" BRASS	67	BF020	FUEL FILTER RAYCOR HYDRO TEK
4	HT127	WHEEL&TIRE TURF 13x5.00-6 3/4 BEARING GREY	32	D006M	GARDEN HA 3/8" NPT MALE	68	BU602	BURNER , BECKET AFG 230V
5	FNA09	NUT ACORN 5/8-11	33	D0021	SCREEN WASHER GARDEN HA	69	BM562	BURNER MOTOR 220V BECKET
6	K161	PACKING KIT; 18MM (HD25004E2G)	34	HH400	FLOAT TANK COVER; HINGED	70	EWCO8	STRAIN RELIEF 1/2" HEYCO (3/8)
	PP983	SEAL KIT 3CP1120 PUMP (HD25004E2C)	35	DF599	FUEL TANK ADAPTER W/PLASTIC TUBE			
7	K167	PACKING ASSEMBLY; 18MM (HD25004E2G)	36	DFF04	FUEL TANK BUSHING 1/4	71	BMT25	IGNITION TRANSFORMER-IRON CORE 240V BECKET
	PP899	VALVE KIT CAT 3CP1120 (HD25004E2C)	37	VVF08	FLOAT VALVE 3/8" BRASS	72	BZ200	FUEL NOZZLE 2.00 80B
8	ME606	MOTOR 6.5 HP230 1PH 3450 MT 3	38	DFF10	WATER TANK BUSHING 5/8"	73	HHD52	ELECT BOX HD LASER CUT
9	KT036	SHEAVE BK36H (HD25004E2G)	39	VF050	STRAINER TUBE FOR FLOAT TANK	74	GLL82	LABEL CONTROL HD
	KT047	SHEAVE BK47H (HD25004E2C)	40	D1010	SPLICER 5/8 BRASS	75	ECC21	CONTACTOR 40AMP 240V 3 POLE DE
10	KSH12	BUSHING H 3/4				76	ECH50	THERMOSTAT 60-250 1 GP PART=25
			41	HH310	FLOAT TANK HINGE (SSTEEL) ASM	77	EP125	GFI CORD 240V 30AMP
11	KSB38	BELT BX38 (HD25004E2C)	42	WT050	FLOAT TANK ASM W/VALVE SPECIFY	78	EC421	ROCKER SWITCH 230V CLEAR
	KSB32	BELT BX32 (HD25004E2G)	43	HHD05	HD/SM BURNER RAIN GUARD	79	EC420	ROCKER SWITCH 230V RED
12	KSH19	BUSHING H24 MM (HD25004E2G)	44	B0304	COIL HEAD 2012 BURNER END BC300	80	ECH70	KNOB; BLUE .25 x 1.500D
	KSH15	BUSHING H x 16.5mm (HD25004E2C)	45	BN053	INSUL BLKT 50SQ' 1/2 x 24 8#25'			
13	KT080	SHEAVE BK80H (HD25004E2G)	46	BN305	DISC RETAINER 13.00 OD w/ 4.38 HOLE BURNER	81	EHD62	HD PUMP BOX ASSM 6HP 230V 1PH
	KT105	SHEAVE BK105H (HD25004E2C)	47	B0314	COIL WRAP BOTTOM 1 PASS 2012 BC300	82	HHD31	HD REAR PANEL
14	FB641	BOLT 3/8" x 2.50" PLD ALLTHREAD	48	BC144	COIL 4PK SINGLE PASS 13.00 OD NEW 2012 HT M	83	HHD30	HD CONTROL PANEL
15	HPR60	PUMP RAIL BOLT	49	B0313	COIL WRAP TOP 1 PASS SH-HD 2012 BC300	84	GLL75	LABEL HYDRO TEK 34 x 3.00
16	HPR10	PUMP ANGLE RAIL AR 4000 10GA (HD25004E2G)	50	BN327	INSUL DISC RETAINER 13.00 DIA 2012 BC300	85	HLB09	NOZZEL GROMET HOLDER
	HHD03	HD PUMP SUPPORT RAIL 14GA SS (HD25004E2C)				86	NQ452	NOZZEL/QDC 045 x 15
17	PG350	PUMP 3.5 @2500 24MM SHAFT (HD25004E2G)	51	B0303	COIL CAP OUTLET 14.50 2012 BC300 OUTLET SID	87	NQ454	NOZZEL/QDC 045 x 40
	P4022	PUMP 3CP1120 4@2200 SHAFT 16 (HD25004E2C)	52	BC300P	COIL ASM SINGLE PASS 4PK 2012 HD-SH	88	NQ353	NOZZEL/QDC 035 x 25
18	DE866	SWIVEL 3/8"F x 3/8"M 90	53	HHA10	BLOCK 1.5 x 1.5 x 3.5 OUTLET	89	VVC10	CHEMICAL MET VALVE MV-100 MOD
19	DB506	NIPPLE 3/8" STEEL	54	DE568	SWIVEL 3/8"F x 1.2"M STEEL	90	DHB04	TUBING; CLEAR BRAIDED 1/4
20	UU260	UNLOADER, ST261 NO SWITCH	55	D1061	PLUG 3/8" FLUSH HEAD HEX STEEL			
			56	DC568	STREET ELL 3/8 STEEL FORGED ON	91	VF045	STRAINER CHEMICAL w/CHECK
21	VS030	PRESSURE SWITCH 4000 PA/PR16	57	UPB05	ADAPTER FITTING-BURST DISC	92	GLL20	LABEL DIESEL FUEL ONLY
22	D8040	HOSE BARB 1/4" 90 ELBOW	58	UPB80	BURST DISC 8000psi TORQUE 32-4	93	FC074	WORM GEAR CLAMP 2 1/2 x 13 1/4
23	D6588	STREET TEE 1/2" BRASS	59	HHP29	WIRE HOSE HOOK-ZINC PLATED	94	WT080	FUEL CAP, DIESEL
24	D8072	HOSE BARB 5/8H x 1/2M .281id BLUE	60	DB507	NIPPLE 3/8" x 1/2" STEEL	95	WT075	FUEL TANK 7.5 DIESEL CLEAR
25	HHA05	MINI MAN IFOLD-BRASS				96	DFE04	FUEL TANK ELL 1/4
26	D8044	BARB, HOSE 1/4" BRASS	61	DE066	TEE 3/8" STEEL	97	DH050	HOSE 3/8" x 50' 3000 PSI
27	D1040	PLUG 1/4" BRASS	62	UP137	PRESSURE RELIEF 3700 psi BLACK	98	VG200	TRIGGER,GUN INSULATED 4000 PSI
28	WT040	TANK, FLOAT 4 GAL HD LINEAR (NO HOLES)	63	DH002	HOSE 3/8" x 14" 5000PSI	99	VW036	WAND 1/4" x 36" MOLDED GRIP
29	D7520	PANEL FITTING 3/4" BRASS	64	BPV20	FUEL VALVE 220V	100	DQ04S	COUPLER 1/4" SOCK FEM